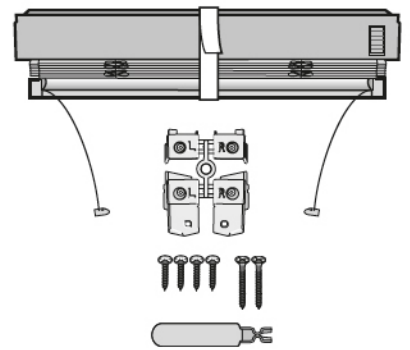


LuXtra.eu
 info@luxtra.nl
 Agriport 139
 1775 TA Middenmeer



PAR



VELUX, LuXtra, RoofLITE, FAKRO, Dakstra, Dakea, Tyrem, Optilight, Keylite, Starlite, and Solstro are registered trademarks ©

